



HOT DIPPED GALVANIZED ROAD LIGHTING POLES

Cột đèn đường mạ kẽm nhúng nóng

Since 1996



HAPULICO INDUSTRY.,JSC was established in 1996 at Hanoi City. Initially a small industrial workshop specializing in manufacturing parts for outdoor lighting luminaires. The development of our company has been marked since 2007, when we expanded scale by investing a modern factory, nowadays main products of our company are not only for outdoor lighting applications but also for other range such as utility poles, antenna monopoles and urban equipment...

Our factory located in Dong Khuc industrial park, Vinh Khuc ward, Van Giang district, Hung Yen province, close the Hanoi City about 45 minutes by car and also nearby two highways from Hanoi City to international seaport, this position have many advantages in collect material raws for production as well as very convenient for transportation goods go to other place in the country and to the Haiphong international seaport of loading.

Our factory scaled 54.000 m² wide including the area of industry factory is more than 25.000 m² and remaining area is for internal transport system, auxiliary areas and standby outdoor yards. Its also has been equipped modern machineries such as production lines to fabricate tapered steel columns, street light luminaires... We believe that with this capacity we can meet your stringent requirement about quality, quantity and delivery time.

The our main products and services

- Hot dipped galvanized steel columns for applications such as street lighting poles, power transmission poles, antenna monopole...
- HighMast poles for area lighting applications such as airport, seaport, station yard, tollgate, sport court...
- Decorative lamp-post for landscape lighting applications as garden, parks, resort...
- HID street lamps and floodlights.
- LED street lamps and floodlights.

HAPULICO INDUSTRY.,JSC

We are the biggest road lighting poles manufacturer in VIETNAM
Your OEM orders are always welcome!



Hot dipped galvanized steel columns for outdoor lighting applications are one of the key products of our factory. It made on modern production lines with productivity more than 300 tons/month. The area of industry workshop for this operation is more than 12.000m² and include special machines such as cut to length production lines; CNC hydraulic brake press machine 12m; SAW auto welding systems and many other specialized equipments...

Products design

Complies with the standard code such as EN:40; Technical Report No.07... Base under support of FEA/CAE/CAD design softwares.

Steel columns structure

Normally it was designed tapered continuous steel tube no have circumferential joints. The section shape of steel tube can be round, octagonal, polygonal shape... For the highmast poles, it will designed from some sections joint overlap so that the number of tube section is minimum.

Materials

The main material used for production of columns is hot rolled steel have thickness from 3mm to 10mm with properties in accordance with Japan JIS G3101 standard or equivalent.

Welding Joint

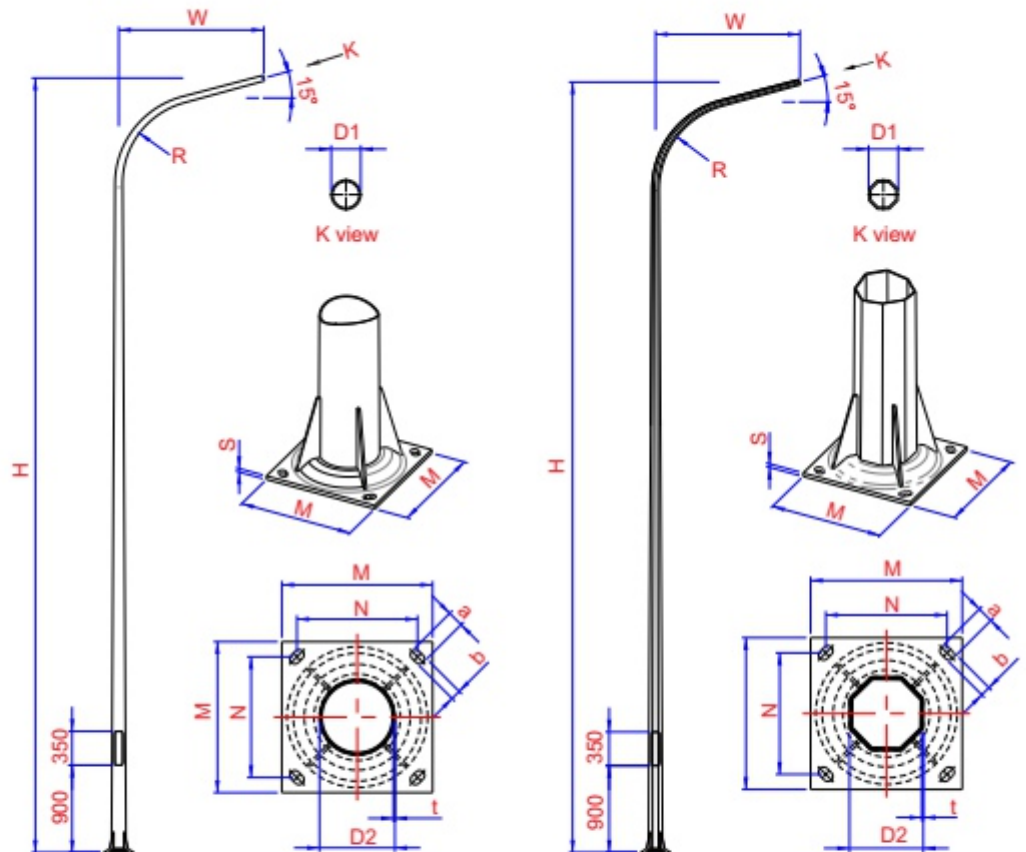
Longitudinal seam weld is SAW welding and the other joint are MIG/MAG welding carried out on specialised equipments and complies with AWD 1.1 standard.

Finished surfaces

After finished machining, all columns will be treated by hot dipped galvanized complies with standard ASTM A123 or equivalent. Additional requirements for outside surface paint coating to increase durability and aesthetics are met (Options).

Packaged

Traditionally Vietnam domestic market, the initial quote for hot dipped galvanized road light poles are ex-work price and not include packaging cost. We are always ready to meet any of your package requirement (Options).



Tapered round lighting poles - curved monolithic arm type

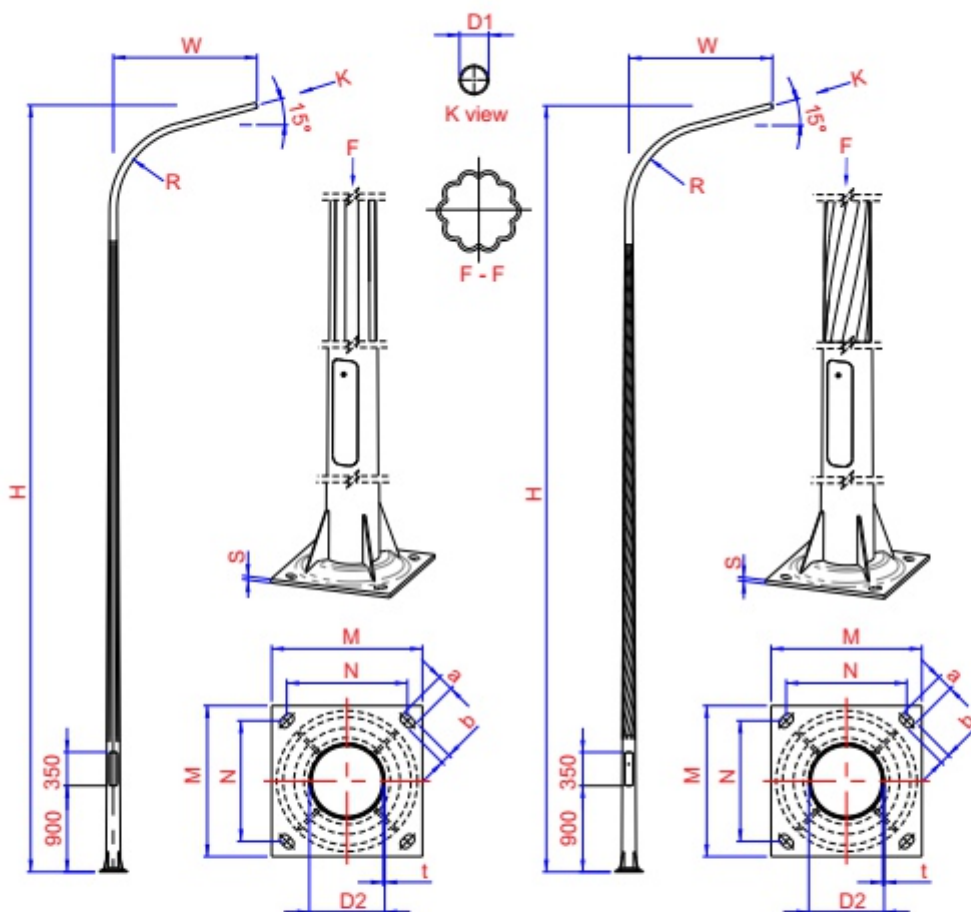
Reference	H (m)	W (m)	R (mm)	t (mm)	D1 (mm)	D2 (mm)	M (mm)	S (mm)	N (mm)	a.b
TCC6	6	1,5	900	3,0	58	131	300	10	240	32x20
TCC7	7	1,5	900	3,0	58	141	300	10	240	32x20
TCC8	8	1,5	900	3,0	58	152	300	10	240	32x20
TCC9	9	1,5	900	3,5	58	162	400	12	300	41x26
TCC10	10	1,5	900	3,5	58	173	400	12	300	41x26
TCC11	11	1,5	900	4,0	58	183	400	12	300	41x26

Tapered octagonal lighting poles - curved monolithic arm type

Reference	H (m)	W (m)	R (mm)	t (mm)	D1 (mm)	D2 (mm)	M (mm)	S (mm)	N (mm)	a.b
BGC6	6	1,5	900	3,0	56	126	300	10	240	32x20
BGC7	7	1,5	900	3,0	56	136	300	10	240	32x20
BGC8	8	1,5	900	3,0	56	146	300	10	240	32x20
BGC9	9	1,5	900	3,5	56	156	400	12	300	41x26
BGC10	10	1,5	900	3,5	56	166	400	12	300	41x26
BGC11	11	1,5	900	4,0	56	176	400	12	300	41x26

HAPULICO INDUSTRY.,JSC





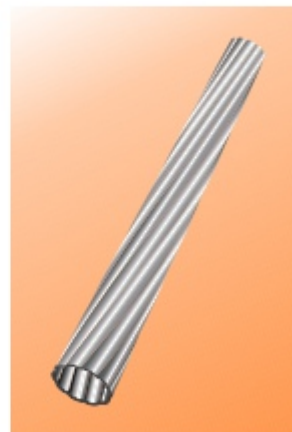
Linear grooves lighting poles – curved monolithic arm type

Reference	H (m)	W (m)	R (mm)	t (mm)	D1 (mm)	D2 (mm)	M (mm)	S (mm)	N (mm)	a.b
RTC6	6	1,5	900	3,0	58	131	300	10	240	32x20
RTC7	7	1,5	900	3,0	58	141	300	10	240	32x20
RTC8	8	1,5	900	3,0	58	152	300	10	240	32x20
RTC9	9	1,5	900	3,5	58	162	400	12	300	41x26
RTC10	10	1,5	900	3,5	58	173	400	12	300	41x26
RTC11	11	1,5	900	4,0	58	183	400	12	300	41x26

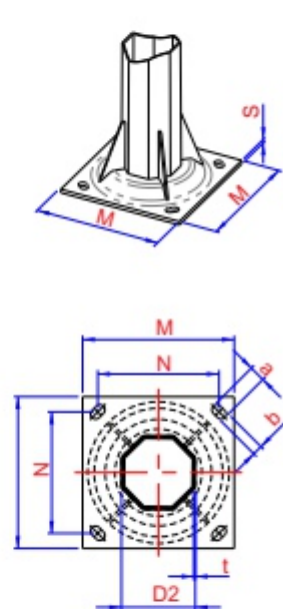
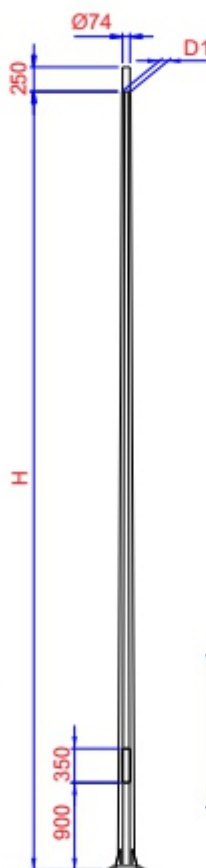
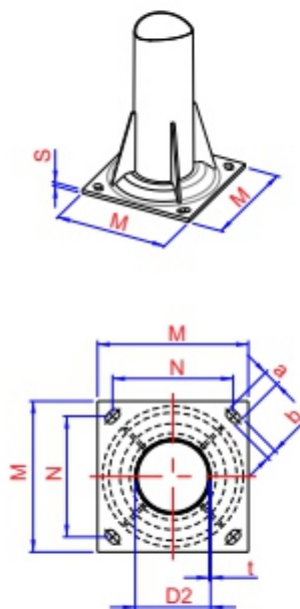
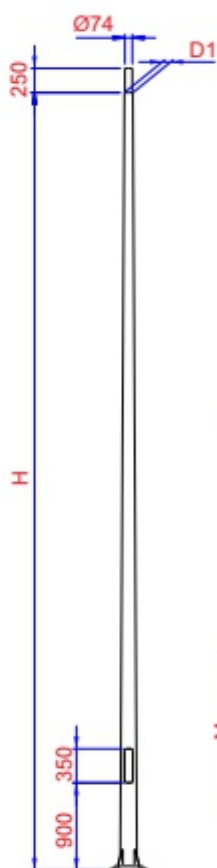


Spiral grooves lighting poles – curved monolithic arm type

Reference	H (m)	W (m)	R (mm)	t (mm)	D1 (mm)	D2 (mm)	M (mm)	S (mm)	N (mm)	a.b
RXC6	6	1,5	900	3,0	58	131	300	10	240	32x20
RXC7	7	1,5	900	3,0	58	141	300	10	240	32x20
RXC8	8	1,5	900	3,0	58	152	300	10	240	32x20
RXC9	9	1,5	900	3,5	58	162	400	12	300	41x26
RXC10	10	1,5	900	3,5	58	173	400	12	300	41x26
RXC11	11	1,5	900	4,0	58	183	400	12	300	41x26



HAPULICO INDUSTRY.,JSC

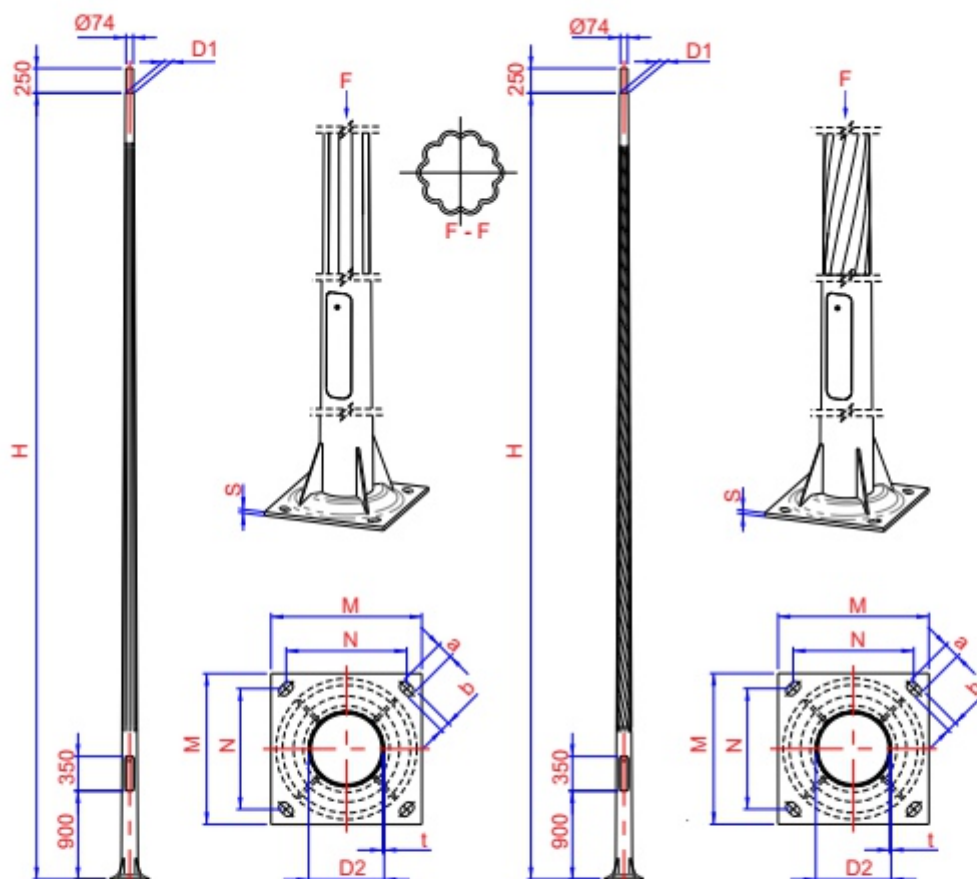


Street lighting poles TC-D78

Reference	H (m)	t (mm)	D1 (mm)	D2 (mm)	M (mm)	S (mm)	N (mm)	a.b
TC5-D78	5	3,0	84	137	300	10	240	32x20
TC6-D78	6	3,0	84	147	300	10	240	32x20
TC7-D78	7	3,5	85	159	400	12	300	32x20
TC8-D78	8	3,5	85	169	400	12	300	41x26
TC9-D78	9	4,0	86	181	400	12	300	41x26
TC10-D78	10	4,0	86	191	400	12	300	41X26
TC11-D78	11	4,0	86	202	400	12	300	41X26

Street lighting poles TC-D78

Reference	H (m)	t (mm)	D1 (mm)	D2 (mm)	M (mm)	S (mm)	N (mm)	a.b
BG5-D78	5	3,0	82	132	300	10	240	32x20
BG6-D78	6	3,0	82	142	300	10	240	32x20
BG7-D78	7	3,5	83	153	400	12	300	32x20
BG8-D78	8	3,5	83	163	400	12	300	41x26
BG9-D78	9	4,0	84	174	400	12	300	41x26
BG10-D78	10	4,0	84	184	400	12	300	41X26
BG11-D78	11	4,0	84	194	400	12	300	41X26



HAPULICO INDUSTRY.,JSC

Street lighting poles RT-D78

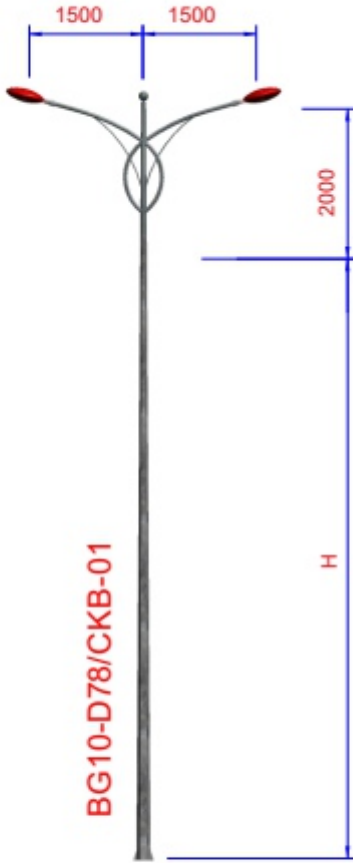
Reference	H (m)	t (mm)	D1 (mm)	D2 (mm)	M (mm)	S (mm)	N (mm)	a.b
RT5-D78	5	3,0	84	137	300	10	240	32x20
RT6-D78	6	3,0	84	147	300	10	240	32x20
RT7-D78	7	3,5	85	159	400	12	300	32x20
RT8-D78	8	3,5	85	169	400	12	300	41x26
RT9-D78	9	4,0	86	181	400	12	300	41x26
RT10-D78	10	4,0	86	191	400	12	300	41x26
RT11-D78	11	4,0	86	202	400	12	300	41x26



Street lighting poles RT-D78

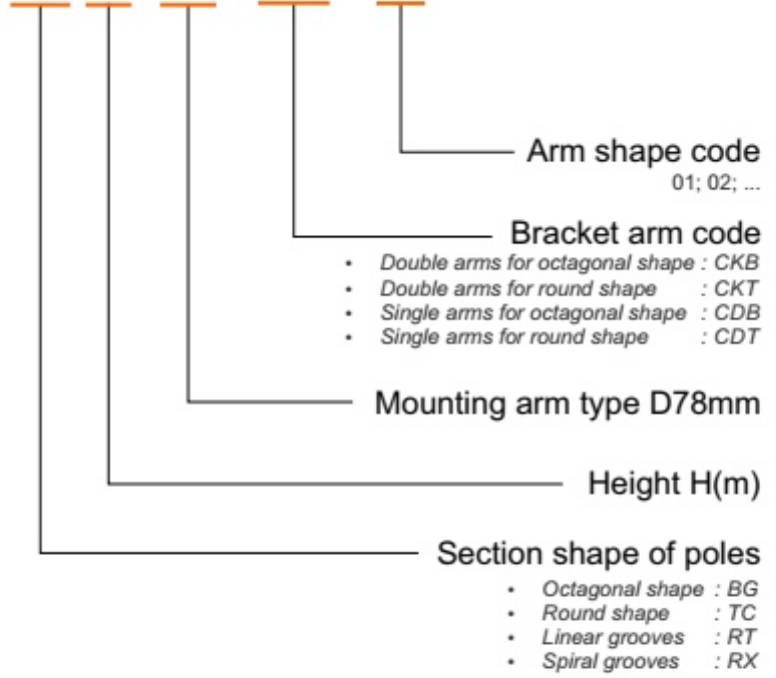
Reference	H (m)	t (mm)	D1 (mm)	D2 (mm)	M (mm)	S (mm)	N (mm)	a.b
RX5-D78	5	3,0	84	137	300	10	240	32x20
RX6-D78	6	3,0	84	147	300	10	240	32x20
RX7-D78	7	3,5	85	159	400	12	300	32x20
RX8-D78	8	3,5	85	169	400	12	300	41x26
RX9-D78	9	4,0	86	181	400	12	300	41x26
RX10-D78	10	4,0	86	191	400	12	300	41x26
RX11-D78	11	4,0	86	202	400	12	300	41x26



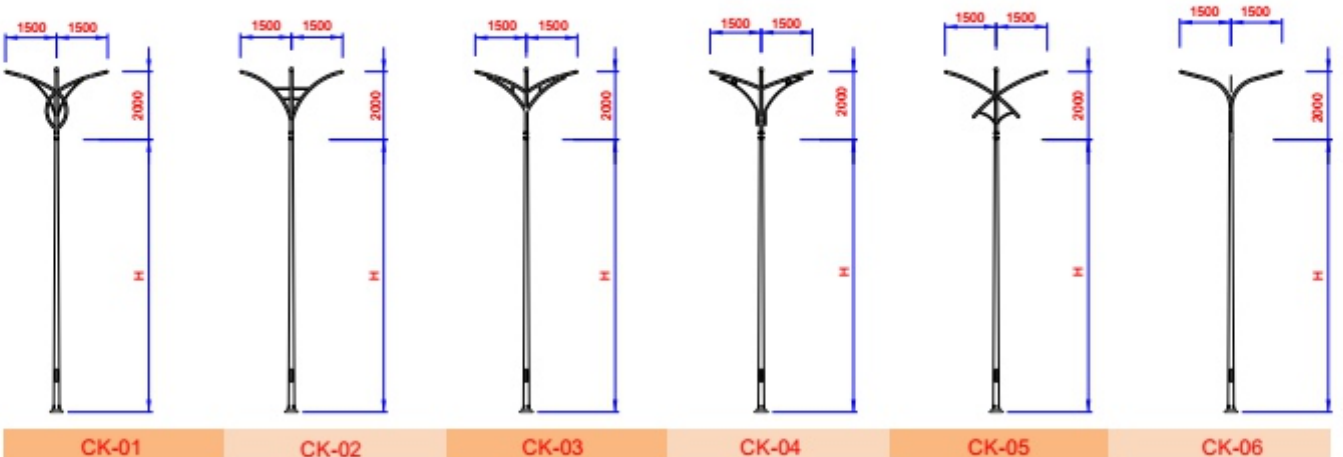
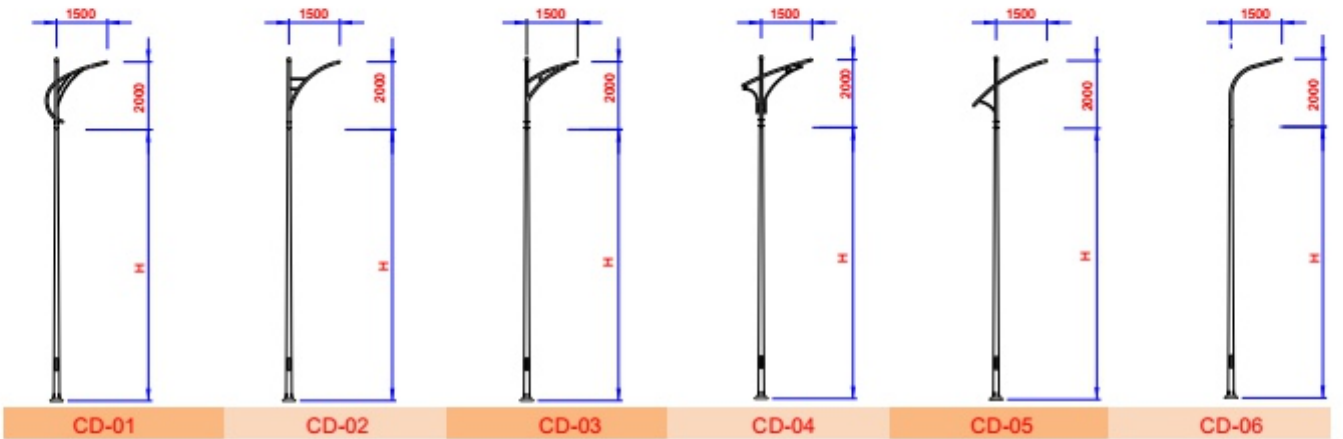


PRODUCT CODE

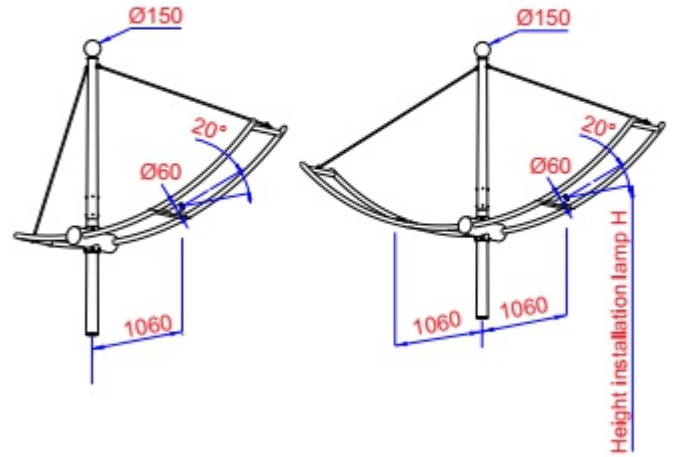
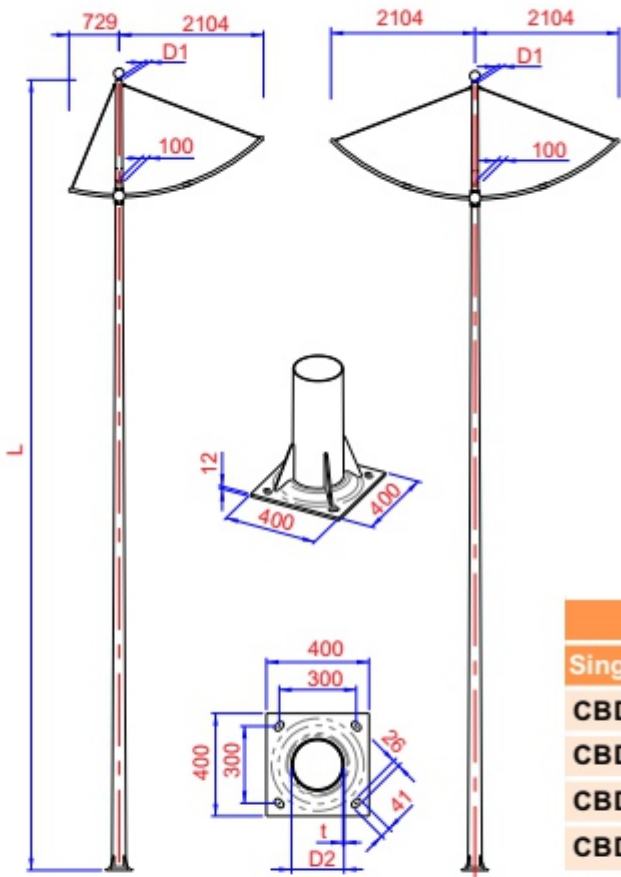
BG 10 - D78 / CKB - 01



HAPULICO INDUSTRY.,JSC

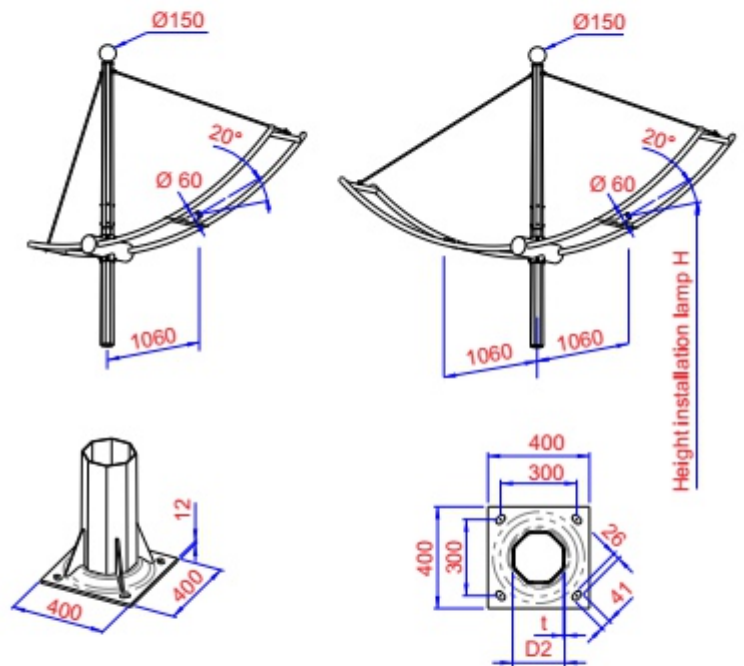


HAPULICO INDUSTRY.,JSC



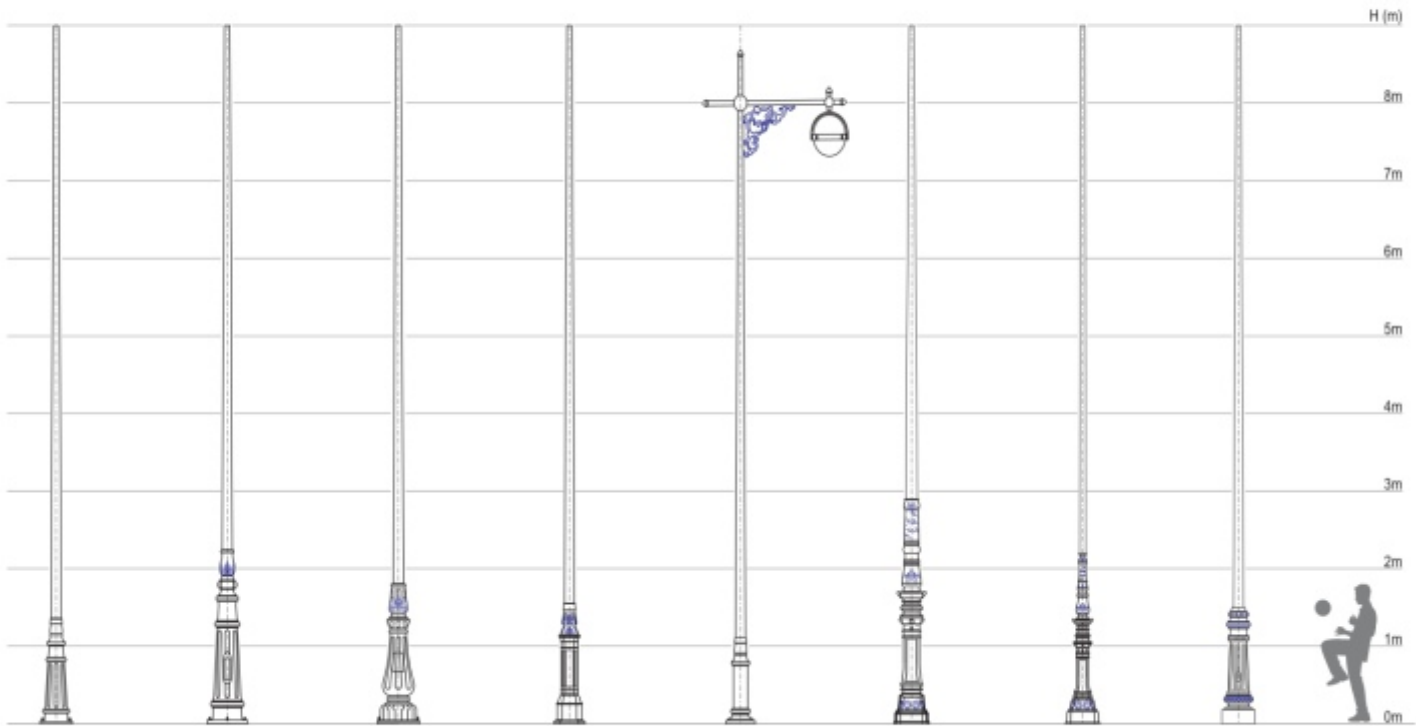
Arm bracket type for round shaped poles

Code		L	H	D1	D2	t	Anchor bolt
Single arm	Double arm	(m)	(m)	(mm)	(mm)	(mm)	
CBD-09T	CBK-09T	10,5	9	84	195	3,5	M24
CBD-10T	CBK-10T	11,5	10	84	205	3,5	M24
CBD-11T	CBK-11T	12,5	11	84	215	4,0	M24
CBD-12T	CBK-12T	13,5	12	84	226	4,0	M24

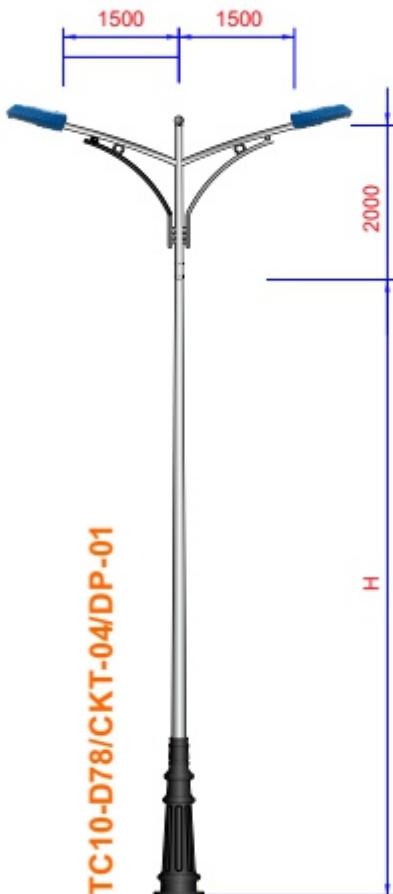


Arm bracket type for octagonal shaped poles

Code		L	H	D1	D2	t	Anchor bolt
Single arm	Double arm	(m)	(m)	(mm)	(mm)	(mm)	
CBD-09B	CBK-09B	10,5	9	82	187	3,5	M24
CBD-10B	CBK-10B	11,5	10	82	197	3,5	M24
CBD-11B	CBK-11B	12,5	11	82	207	4,0	M24
CBD-12B	CBK-12B	13,5	12	82	217	4,0	M24

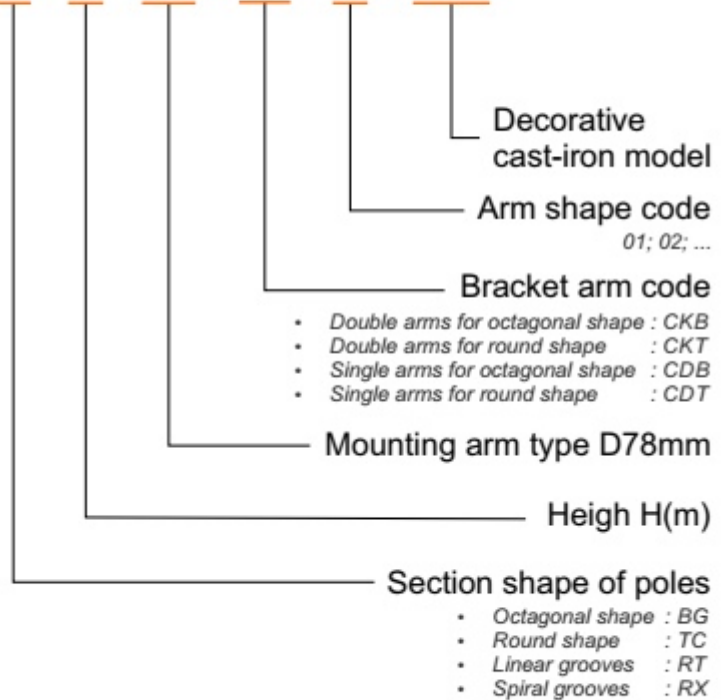


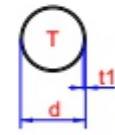
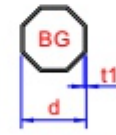
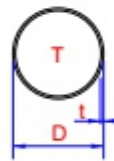
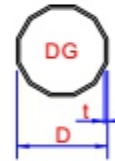
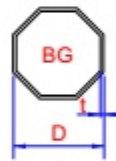
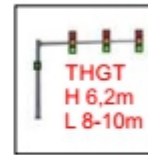
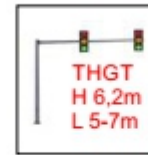
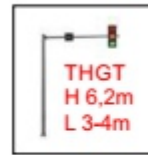
DP-01 DP-01B DC-03B DP-05 DP-09 DP-17 DP-18 DP-19



PRODUCT CODE

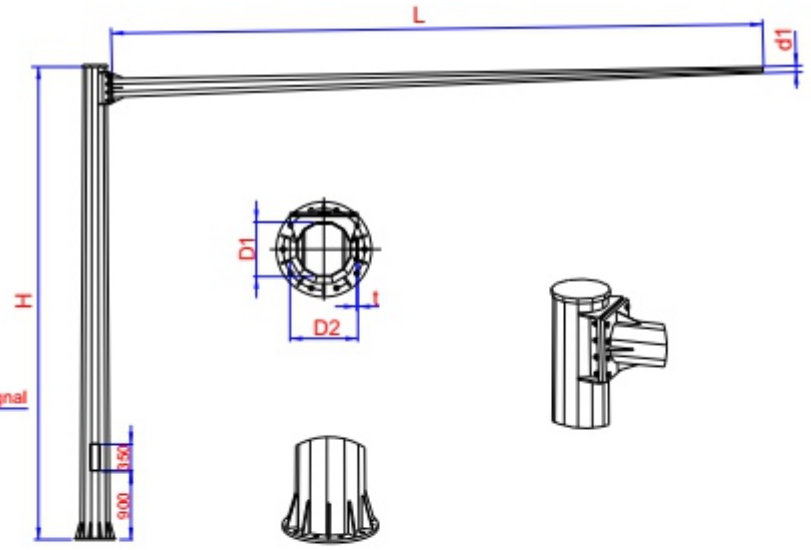
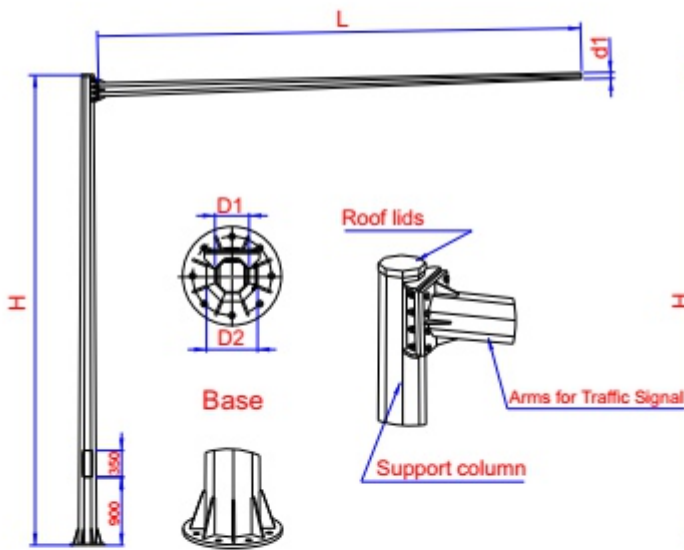
TC 10 - D78 / CKT - 04 / DP 01





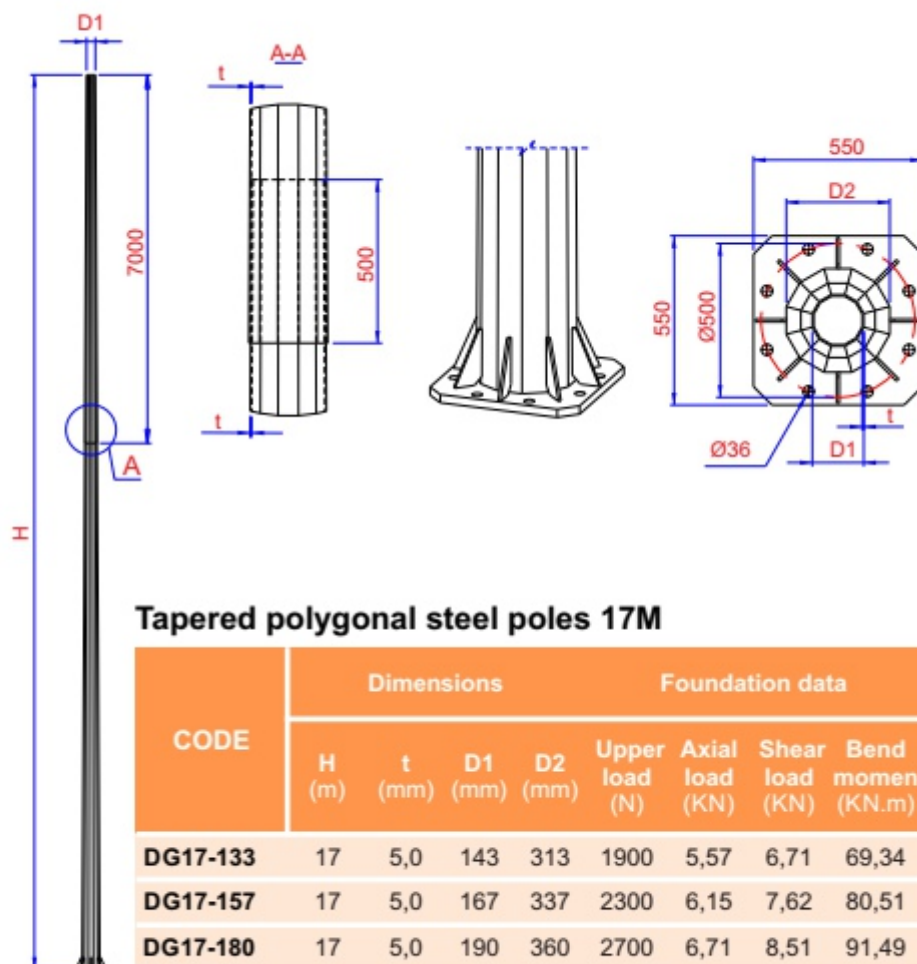
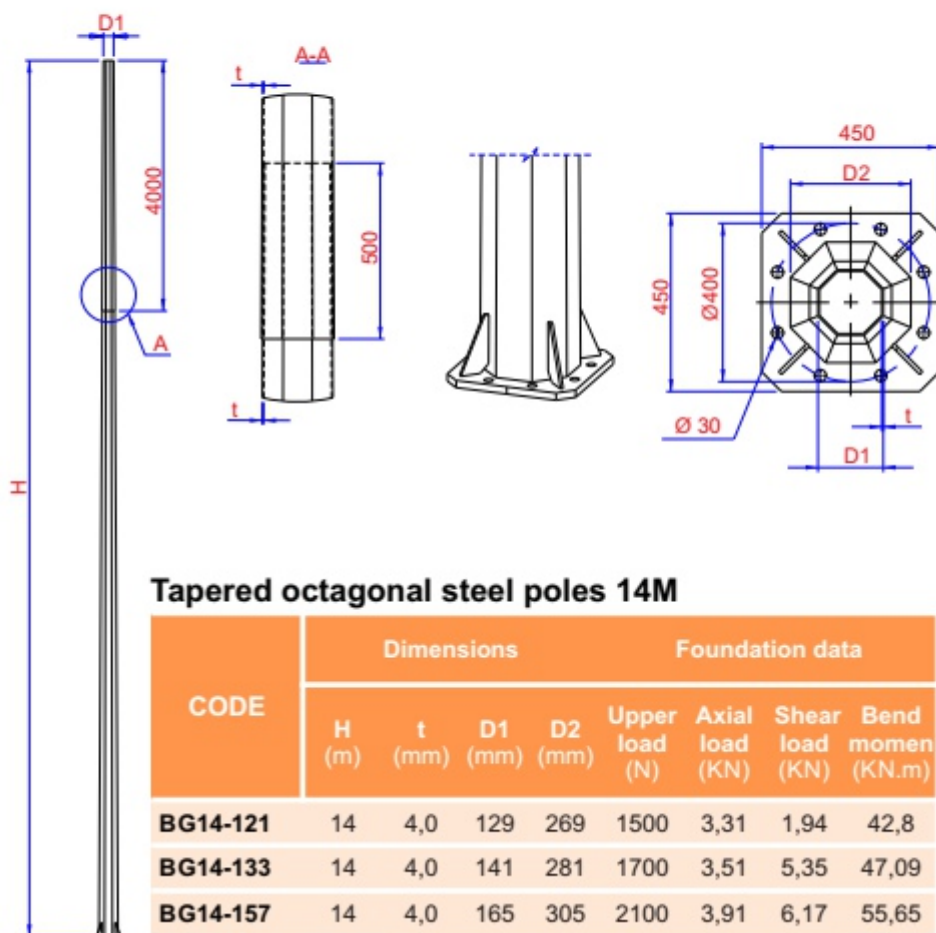
Poles section shape

Arm section shape

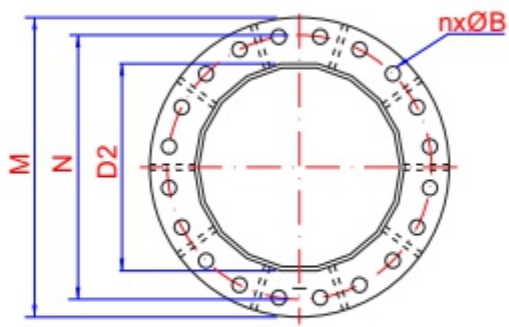
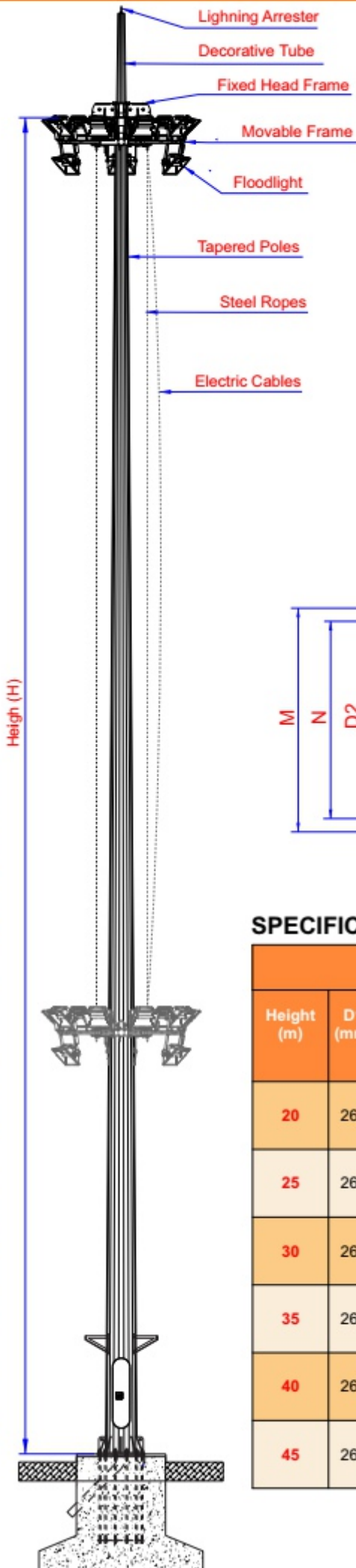


Traffic Signal light Pole

Product code		Support Column				Arm for signal lights			
Polygon shape	Round shape	H (m)	D1 (mm)	D2 (mm)	t (mm)	L (mm)	d1 (mm)	d2 (mm)	t2 (mm)
BG 2,6m	TC 2,6	2,6	84/87	110/114	3,0	-	-	-	-
BG 2,9m	TC 2,9	2,9	84/87	113/117	3,0	-	-	-	-
BG 3,4m	TC 3,4	3,4	84/87	118/123	3,0	-	-	-	-
BG 3,9m	TC 3,9	3,4	84/87	123/128	3,0	-	-	-	-
BG6,2-D130 W3m	TC6,2-D136 W3m	6,2	130/136	204/210	4,0	3,0	80/90	116/122	4,0
BG6,2-D130 W4m	TC6,2-D136 W4m	6,2	130/136	204/210	4,0	4,0	80/90	128/132	4,0
BG6,2-D168 W5m	TC6,2-D182 W5m	6,2	168/182	254/256	5,0	5,0	80/90	150/143	5,0
BG6,2-D168 W6m	TC6,2-D182 W6m	6,2	168/182	254/256	5,0	6,0	80/90	164/153	5,0
BG6,2-D173 W7m	TC 6,2-D187 W7m	6,2	173/187	259/261	6,0	7,0	80/90	178/164	5,0
DG6,2-D220 W8m		6,2	220	307	6,0	8,0	80	208	5,0
DG6,2-D320 W9m		6,2	320	400	6,0	9,0	80	242	6,0
DG6,2-D320 W10m		6,2	320	400	6,0	10,0	80	260	6,0



HAPULICO INDUSTRY.,JSC

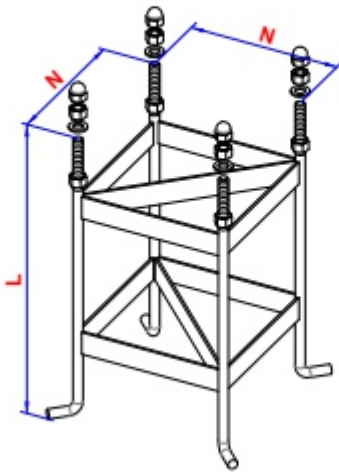


Base plate

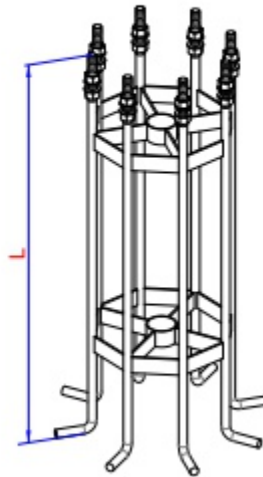
Top Flange

SPECIFICATIONS OF HIGHMAST

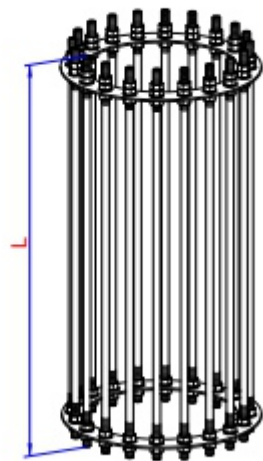
Height (m)	DIMENSIONS							FOUNDATION DATA			
	D1 (mm)	D2 (mm)	Thickness Sections (mm)	M (mm)	S (mm)	N (mm)	nxØB	Wind Speed (m/s)	Axial Load (kN)	Shear Load (kN)	Momen Load (kN.m)
20	260	542	4/4	750	25	650	20x36	30m/s	17	9	125
		540	5/5					36m/s	19	13	178
		538	6/6					45m/s	21	20	279
25	260	603	5/5/5	850	30	750	20x36	30m/s	23	11	176
		601	5/6/6					36m/s	25	15	253
		595	6/8/8					45m/s	29	24	394
30	260	675	5/5/6	900	30	800	20x36	30m/s	28	13	239
		673	5/6/8					36m/s	32	18	341
		667	6/8/8					45m/s	41	29	531
35	260	736	5/5/6/8	1000	40	900	20x36	30m/s	36	15	312
		728	6/6/8/8					36m/s	41	22	447
		716	6/8/12/14					45m/s	55	34	695
40	260	808	5/5/6/8	1050	40	950	24x36	30m/s	44	18	399
		800	6/6/8/8					36m/s	49	25	573
		788	6/8/12/14					45m/s	68	39	887
45	260	865	5/5/6/8/8	1150	40	1050	24x42	30m/s	54	20	501
		857	6/6/8/8/10					36m/s	61	29	717
		833	6/8/12/14/14					45m/s	85	45	1112



Anchor bolts for street lighting poles



Anchor bolts for traffic signal light poles

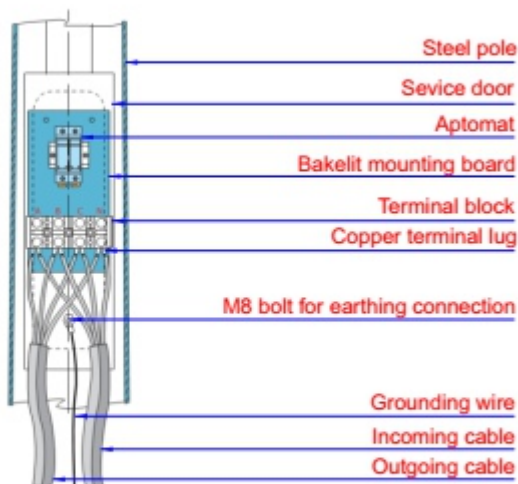


Anchor bolts High mast light poles

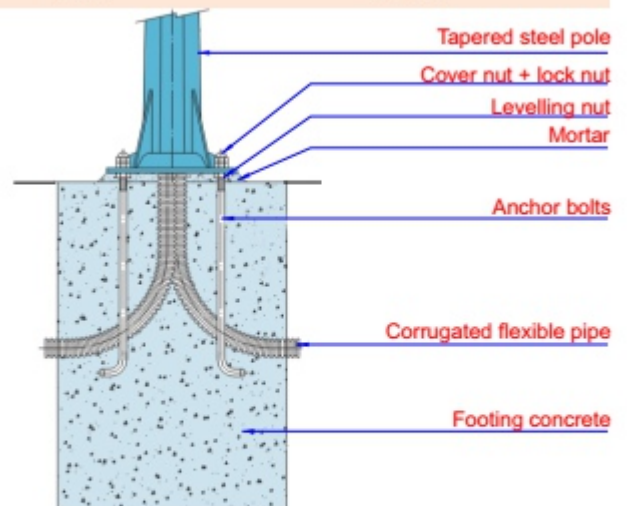
Anchor bolts for street lighting poles	N (mm)	L (mm)	M
KM300	240	500	4xM16
KM400	300	675	4xM24
KM340-DC-05B	340	500	4xM16
KM260-SV	260	500	4xM16
KM190-BamBoo	190	350	4xM12

Anchor bolts for floodlight poles and traffic signal poles	N (mm)	L (mm)	M
KM14m/Ø400	Ø400	1350	8xM24
KM17m/Ø450	Ø450	1350	8xM30
KM17m/Ø500	Ø500	1350	12xM30

Anchor bolts for highmast light poles	N (mm)	L (mm)	M
KMNH20M-25M/Ø750	Ø750	1750	20xM30
KMNH30m/Ø800	Ø800	1750	20xM30
KMNH35m/Ø900	Ø900	1750	20xM30
KMNH40m/Ø960	Ø960	1750	24xM30
KMNH45m/Ø1050	Ø1050	1750	24xM36

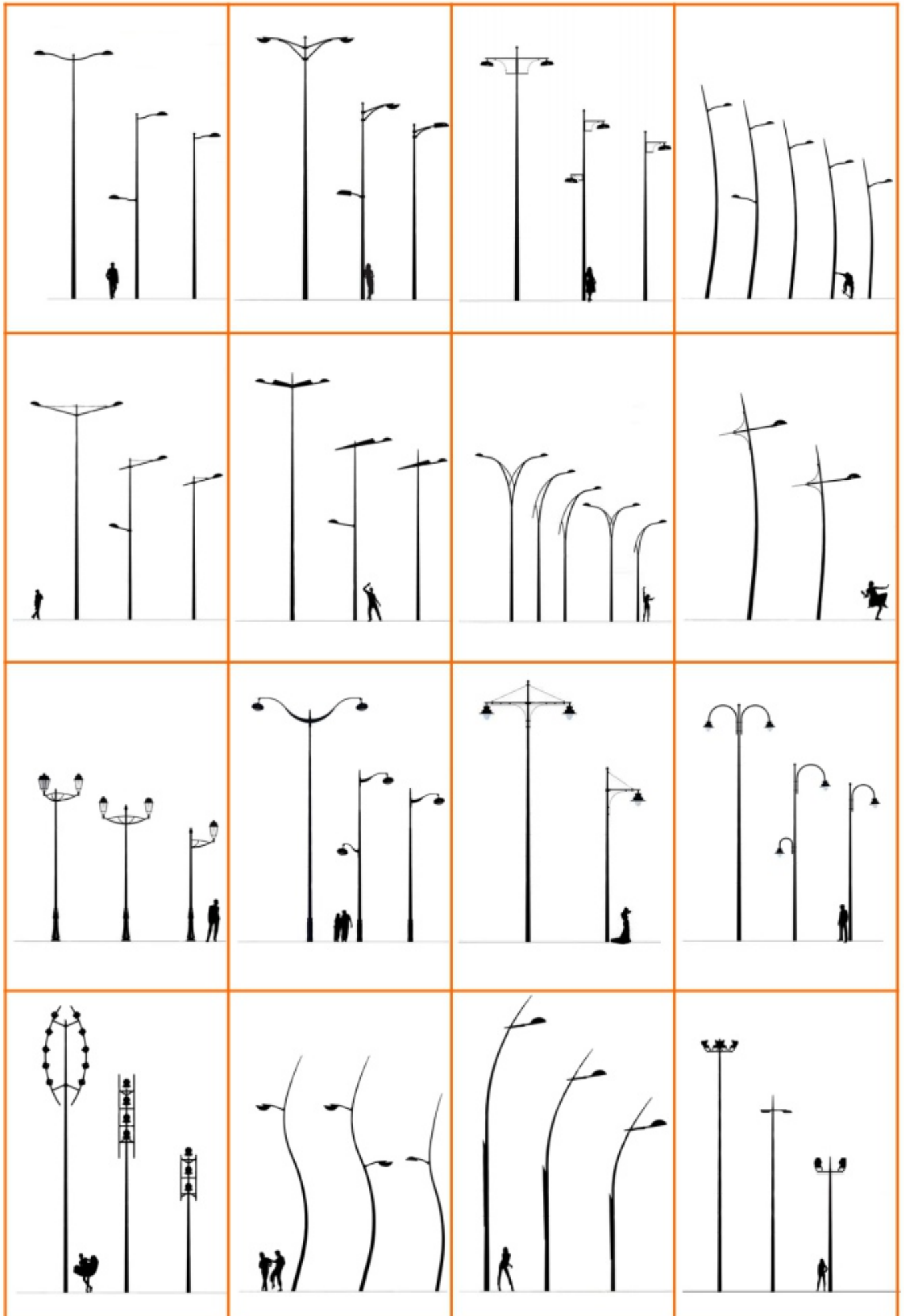


Typical wiring diagram in services door



Typical lighting pole foundations

HAPULICO INDUSTRY.,JSC





HAPULICO INDUSTRY JOINT STOCK COMPANY

Factory Address

DongKhuc Village Industrial Zone
VanGiang Distric HungYen Province Vietnam
Phone number: +84 - 221 - 3997737
Fax: +84 - 221 - 3997738
Tax code:0100382419

Office Address

18th Floors Hapulico Center Building
No1 NguyenHuyTuong Str., ThanhXuanTrung ward
ThanhXuan District - Hanoi City - Vietnam
Phone: +84 - 24 - 62879696
Fax: +84 - 24 - 63279696

www.litec.com.vn